

CREATE A BETTER LIFE THROUGH OUR WORK 



HMI TP2000^{series} Touch Screen

HCFA Industrial Solution Sdn. Bhd.

3-4-2, Block B, Megan Salak Park,
Jalan 1/125E, Taman Desa Petaling,
57100 Kuala Lumpur,

Wilayah Persekutuan Kuala Lumpur, Malaysia

Tel: +6017 393 0038 / +6017 337 0303

Email: hello@hcfamalaysia.com  www.hcfamalaysia.com

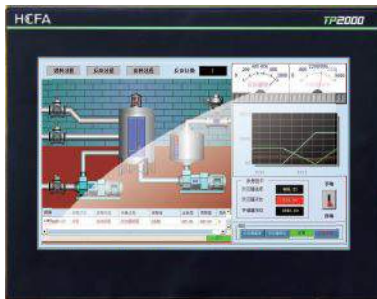


Scan for more information



TP2000

Meet your needs in more occasions



TP2510 10.1" touch screen



TP2507 7" touch screen



TP2504 4.3" touch screen

Personalized Service

New upgrade for TP1000 series, Performance greatly improved for TP2000 series
More beautiful product appearance, more stable performance, more functions to meet customers' requirements in different applications.



Performance

ARM platform, Higher performance, 50% improved compared to last generation products



Interfaces

Ethernet, communication port, USB and SD card supported



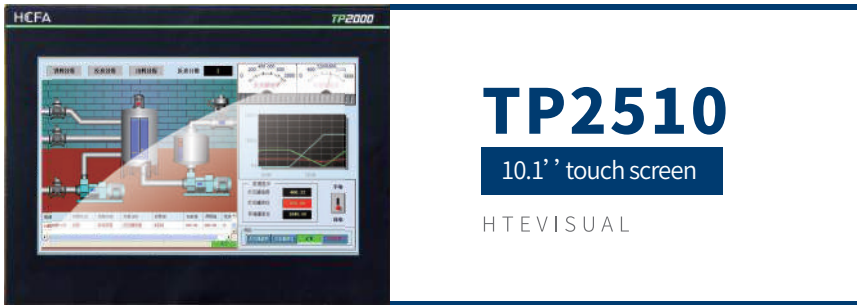
Easy-to-use

New configuration software-HCT Designer, make the operation much easier



Size

Full range of sizes, exquisite appearance and easy to install

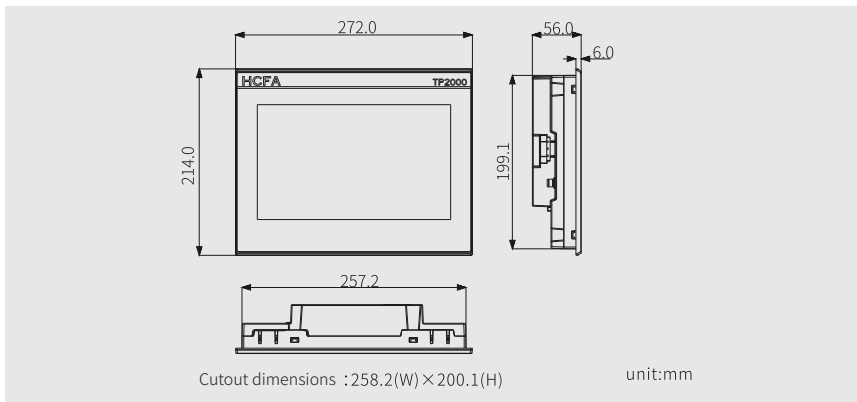


TP2510

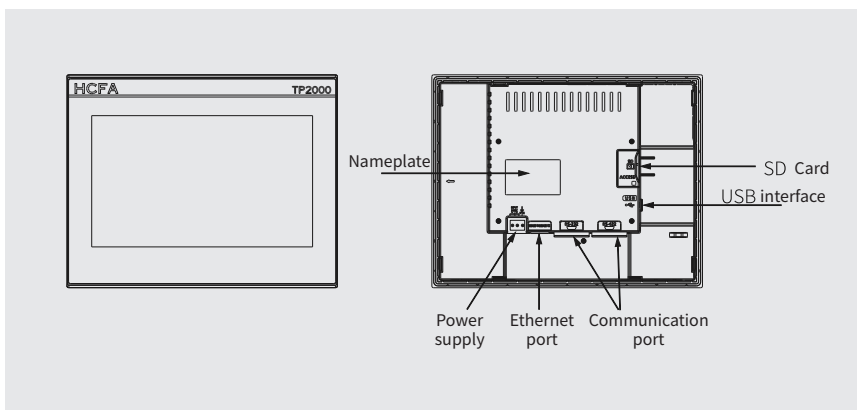
10.1" touch screen

HTEVISUAL

Appearance size



Spare parts name



Appearance size

Parameters	TL2510	TP2510	TP2510-E
Color display	24bit	24bit	24bit
Ethernet	×	×	✓
SD card	×	✓	✓
USB HOST	✓	✓	✓
USB DEVICE	✓	✓	✓
COM1/COM3	✓	✓	✓
COM2/COM4	×	✓	✓

Isolated power supply	Non-isolated power Surge protection	Isolated power Surge protection	Isolated power Surge protection
Isolated power supply	Non-isolated power Surge protection	Isolated power Surge protection	Isolated power Surge protection

Appearance size

Electrical specification

Power Consumption	<10W
Rated voltage	24VDC, Input Range: 18V-28VDC
Power protection	Isolated power supply block, Protect from surging and thunder strike
Allowable momentary power-off	<5mS
CE	Complied with EN61000-6-2:2005, EN61000-6-4:2007

RoHS	Surge Immunity ±4KV, EFT: ±4KV, ESD: 4KV, Air: 8KV
------	--

Electrical specification

Operation Temperature	0~50°C
Storage Temperature	-20~60°C
Operation Humidity	10~90%RH(Without condensation)
Vibration Resistance	10~25Hz (2G/30min in XY,Z direction)
Cooling	Natural air cooling

Others

Protection Level	Front IP65(With NEMA Panel), Back IP20
Housing Material	PBT+PC
Cutout Dimension	258.2×200.1 (mm)
Dimension	272×214×56 (mm)
Weight	About 1300g

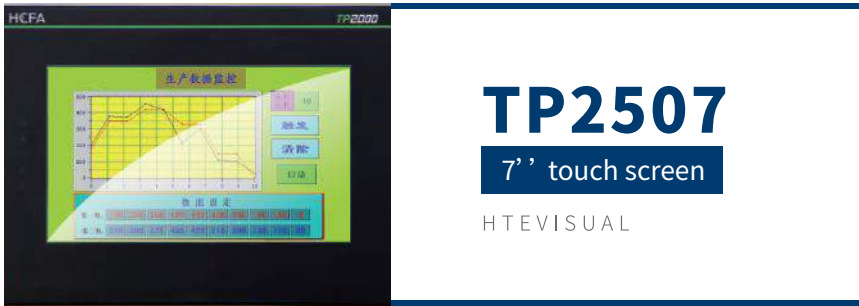
Hardware specification

Display	10.1" TFT LCD
Resolution	800×480
Color	24bit
Brightness	300 cd/m ²
Backlight	LED
LCD lifetime	50000 hours
Touch Panel	4 wire resistive touch panel(Surface hardness 4H)
CPU	600MHz ARM Cortex A8
Memory	128M Flash + 128M DDR3
RTC	Built in real-time clock
Ethernet	10M/100M Ethernet port
USB Port	1个USB Device 2.0 Ethernet port 1个USB Host 2.0
Program Download	USB Host/ USB Slave/ SD card/ Ethernet are provided.

COM port	COM1/COM2: RS232/RS485/RS422; COM3/COM4: RS232
----------	---

Accessories

TP16-PLC-R4-8P-3M	Communication line between TP2000 series HMI and HCFA PLC, RS422, Round 8PIN, 3M
TP16-PLC-R2-9S-3M	Communication line between TP2000 series HMI and 232, RS232, 9PIN serial port(female), 3M

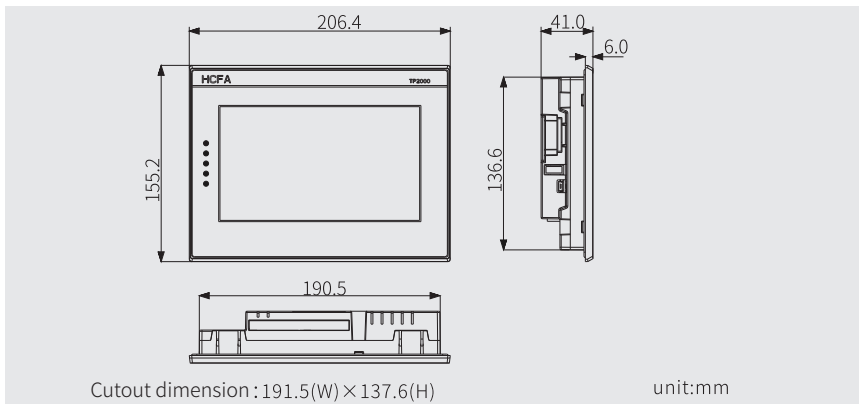


TP2507

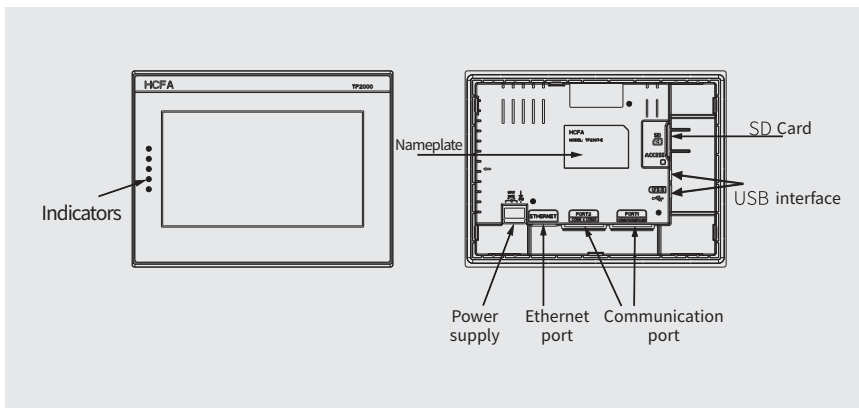
7" touch screen

HTEVISUAL

Appearance size



Spare parts name



Appearance size

Parameter	TL2507	TP2507	TP2507-E
Color display	24 bit	24 bit	24 bit
Ethernet	×	×	✓
SD card	×	✓	✓
USB HOST	✓	✓	✓
USB DEVICE	✓	✓	✓
COM1/COM3	✓	✓	✓
COM2/COM4	×	✓	✓

Isolated power supply	Non-isolated power Surge protection	Isolated power Surge protection	Isolated power Surge protection
Isolated power supply	Non-isolated power Surge protection	Isolated power Surge protection	Isolated power Surge protection

Appearance size

Electrical specification

Power Consumption	<7W
Rated voltage	24VDC, Input Range: 18V~28VDC
Power protection	Isolated power supply block, Protect from surging and thunder strike
Allowable momentary power-off	<5mS
CE	Complied with EN61000-6-2:2005, EN61000-6-4:2007

RoHS	Surge Immunity ±4KV, EFT: ±4KV, ESD: 4KV, Air: 8KV
------	--

Electrical specification

Operation Temperature	0~50°C
Storage Temperature	-20~60°C
Operation Humidity	10~90%RH(Without condensation)
Vibration Resistance	10~25Hz (2G/30min in XYZ direction)

Cooling	Natural air cooling
---------	---------------------

Others

Protection Level	Front IP65(With NEMA Panel), Back IP20
Housing Material	PBT+PC
Cutout Dimension	191.5 × 137.6 (mm)
Dimension	206.4 × 155.2 × 41.0 (mm)
Weight	About 900g

Hardware specification

Display	7" TFT LCD
Resolution	800 × 480
Color	24 bit
Brightness	300 cd/m ²
Backlight	LED
LCD lifetime	50000 hours

Touch Panel	4 wire resistive touch panel(Surface hardness 4H)
CPU	600MHz ARM Cortex A8
Memory	128M Flash + 128M DDR3
RTC	Built in real-time clock
Ethernet	10M/100M Ethernet port

USB Port	1↑ USB Device 2.0 Ethernet port 1↑ USB Host 2.0
----------	--

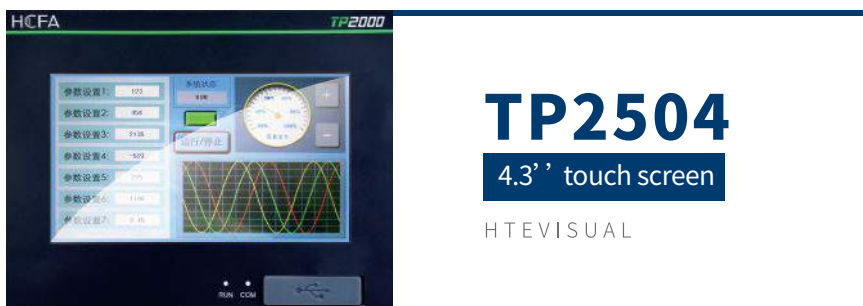
Program Download	USB Host/ USB Slave/ SD card/ Ethernet are provided.
------------------	--

COM port	COM1/COM2: RS232/RS485/RS422; COM3/COM4: RS232
----------	---

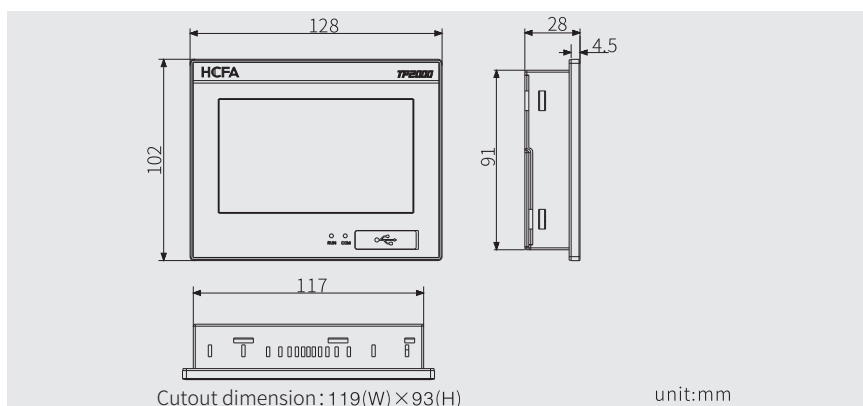
Accessories

TP16-PLC-R4-8P-3M	Communication line between TP2000 series HMI and HCFA PLC, RS422, Round 8PIN, 3M
-------------------	--

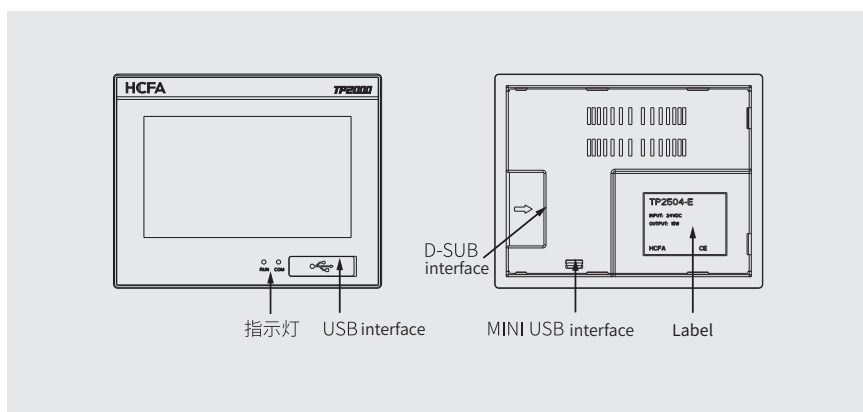
TP16-PLC-R2-9S-3M	Communication line between TP2000 series HMI and 232, RS232, 9PIN serial port(female), 3M
-------------------	---



Appearance size



Spare parts name



Appearance size

Parameter	TP2504-E
Color display	24bit
Ethernet	✓
SD card	✗
USB HOST	✓
USB DEVICE	✓
COM1/COM3	✓
COM2/COM4	✗

Isolated power supply Non-isolated power supply
Surge protection

Appearance size

Electrical specification	Hardware specification
Power Consumption <5W	Display 4.3" TFT LCD
Rated voltage 24VDC, Input Range: 18V~28VDC	Resolution 800 × 480
Power protection Non-isolated power supply, Protect from surging and thunder strike	Color 24bit
Allowable momentary power-off <5mS	Brightness 300 cd/m ²
CE Complied with EN61000-6-2:2005, EN61000-6-4:2007	Backlight LED
RoHS Surge Immunity ±4KV, EFT: ±4KV, ESD: 4KV, Air: 8KV	LCD lifetime 50000 hours
Operation Temperature 0~50°C	Touch Panel 4 wire resistive touch panel(Surface hardness 4H)
Storage Temperature -20~60°C	CPU 600MHz ARM Cortex A8
Operation Humidity 10~90%RH(Without condensation)	Memory 128M Flash + 128M DDR3
Vibration Resistance 10~25Hz (2G/30min in X,Y,Z direction)	RTC Built in real-time clock
Cooling Natural air cooling	Ethernet 10M/100M Ethernet port
Others	USB Port 1个USB Device 2.0 Ethernet port 1个USB Host 2.0
Protection Level Front IP65(With NEMA Panel), Back IP20	Program Download USB Host/ USB Slave/ SD card/ Ethernet are provided.
Housing Material PBT+PC	COM port COM1/COM2: RS232/RS485/RS422; COM3/COM4: RS232
Cutout Dimension 119 × 93 (mm)	Accessories
Dimension 128 × 102 × 28 (mm)	TP16-PLC- R4-8P-3M Communication line between TP2000 series HMI and HCFA PLC, RS422, Round 8PIN, 3M
Weight About 260g	

